

DIN Rail Mounting Kit 2X-051G

Installation Guide



MISC10000017 06/2023 V2.0

Package Contents

Qty	Description
1	DIN rail kit containing 2 x DIN rail mount brackets and 4 x DIN rail bracket screws
1	L-shape mounting bracket
2	M3x6 screws
1	user instructions

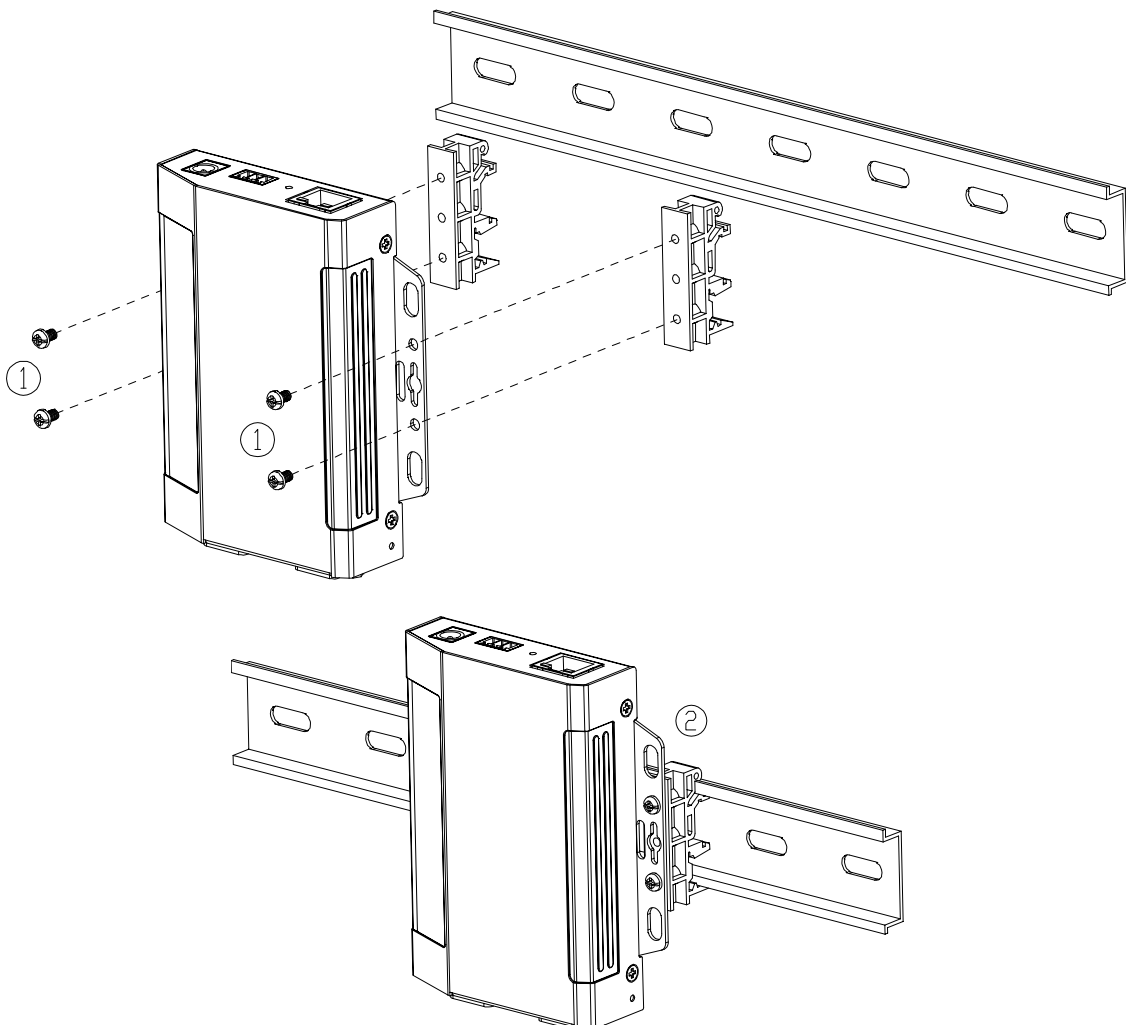
The DIN Rail Mounting Kit allows you to attach and install an ATEN secure device server onto a DIN rail.

For a list of compatible models, please refer to the *Compatible Products* section on the 2X-051G product page from the ATEN website.

Parallel DIN Rail Mount

To mount a secure device server parallel to the DIN rail, refer to the instructions and diagrams below.

- Using the DIN rail kit, attach the 2 DIN rail mount brackets onto to the device, with the 4 screws enclosed, via its center screw holes.
- Secure the device onto the DIN rail.



Perpendicular DIN Rail Mount

To mount a secure device server perpendicular to the DIN rail, refer to the instructions and diagrams below.

1. Using the 2 M3x6 screws, attach the L-shape mounting bracket onto the device via its center screw holes at the side opposite to its grounding terminal.
2. Using the DIN rail kit, attach the L-shape mounting bracket to 1 of the DIN rail mount brackets with 2 of the 4 screws enclosed.
3. Secure the device onto the DIN rail.

