

C14 EZ-Lok Plug Connector 2X-EA10

C20 EZ-Lok Plug Connector 2X-EA11

Installation Guide



MISC00000251 05/2023 V4.0

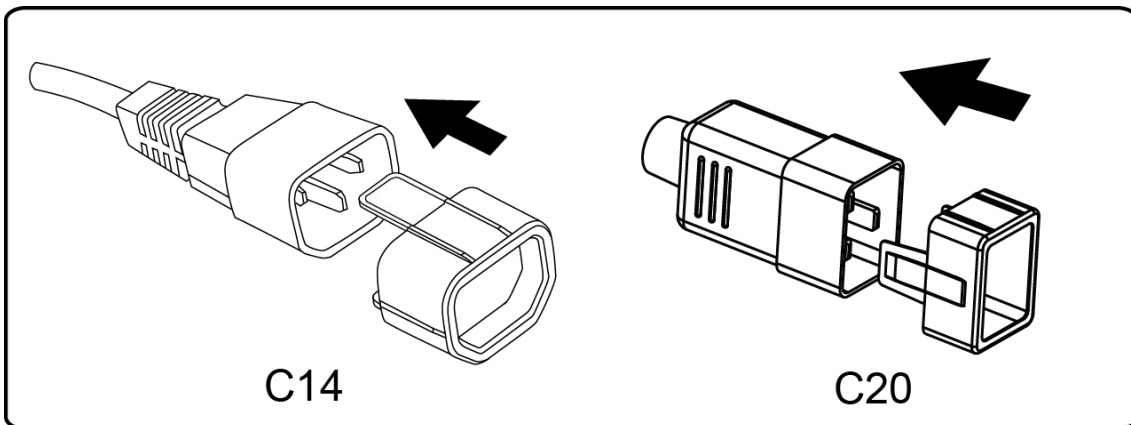
Package Contents

2X-EA10		2X-EA11	
Qty	Description	Qty	Description
10	C14 EZ-Lok Plug Connector	4	C20 EZ-Lok Plug Connector
1	user instructions	1	user instructions

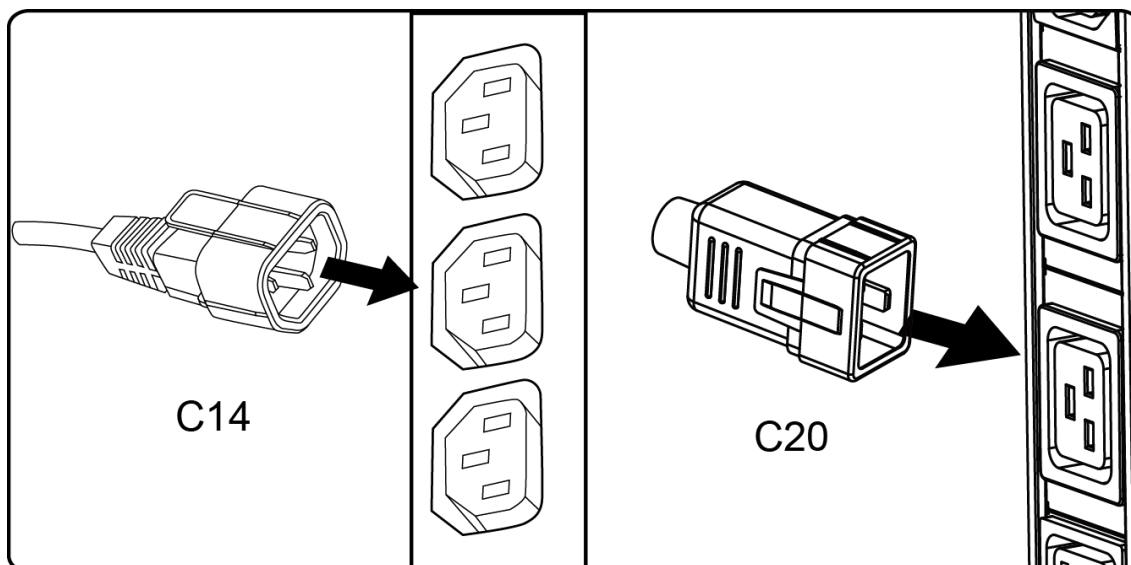
Installation

To secure a power cable in place, using C14 / C20 EZ-Lok Plug Connector, do the following:

- Slide and attach the EZ-Lok Plug Connector onto a C14 or C20 plug until it clicks into place.



- Insert the plug, with the EZ-Lok Plug Connector attached, into any available socket on a PDU by sliding it directly over and straight into the socket.



- To disconnect the plug from the PDU, grip onto and squeeze the EZ-Lok Plug Connector as you pull and detach the plug from the PDU socket.

