

KVM over IP Access Control Box

2XRT-0015G

The 2XRT-0015G KVM over IP Access Control Box allows users to enable or disable remote over IP control privilege by simply pressing a control button. When installed with the KVM over IP Series¹ Transmitter, the 2XRT-0015G allows users to quickly and effortlessly enable or disable control privilege from the Receiver, making operations only permitted to the user at the local console².

It's fast and easy to set up the 2XRT-0015G. Simply plug the 2XRT-0015G's cables to the KVM over IP transmitter³. There is no need to install software or configure devices – just plug and play. In addition, the cable length of the 2XRT-0015G reaches 5 meters, enabling connection to the transmitter over longer distances for more flexible installation.

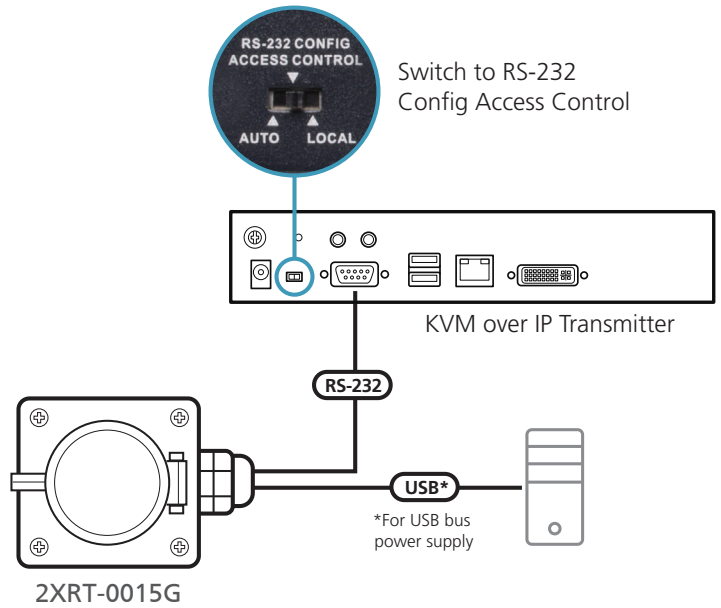
Note:

1. Please visit www.aten.com for compatible products.
2. The slide switch on the rear side of the KVM over IP Transmitter needs to be switched to the RS-232 Config / Access Control position.
3. Connect the RS-232 connector of the 2XRT-0015G to the RS-232 Port of the KVM over IP Transmitter and connect the USB connector of the 2XRT-0015G to a computer for USB bus-power supply.



Features

- Users at the Tx local console can enable / disable Rx control privilege by simply pressing a control button
- Plug-and-Play — no software installation required
- USB bus-powered design — no external power adapter required
- Easy to operate
- Cable length reaches 5m for more flexible installation



Specifications

2XRT-0015G	
Connectors	
Link	USB, PS/2, RJ-11, RS-232
LEDs	
Status	Pressed: Red Light Released: Dim
Physical Properties	
Housing	Plastic
Weight	0.43 kg
Dimensions (L x W x H)	7.20 x 10.39 x 11.00 cm

ATEN International Co., Ltd.

3F., No.125, Sec. 2, Datung Rd., Sijhih District., New Taipei City 221, Taiwan
 Phone: 886-2-8692-6789 Fax: 886-2-8692-6767
www.aten.com E-mail: marketing@aten.com

Product information is subject to change without prior notice.

Released: 09/2022 V2.0

© Copyright 2022 ATEN® International Co. Ltd.
 ATEN and the ATEN logo are registered trademarks of ATEN International Co., Ltd.
 All rights reserved. All other trademarks are the property of their respective owners.

