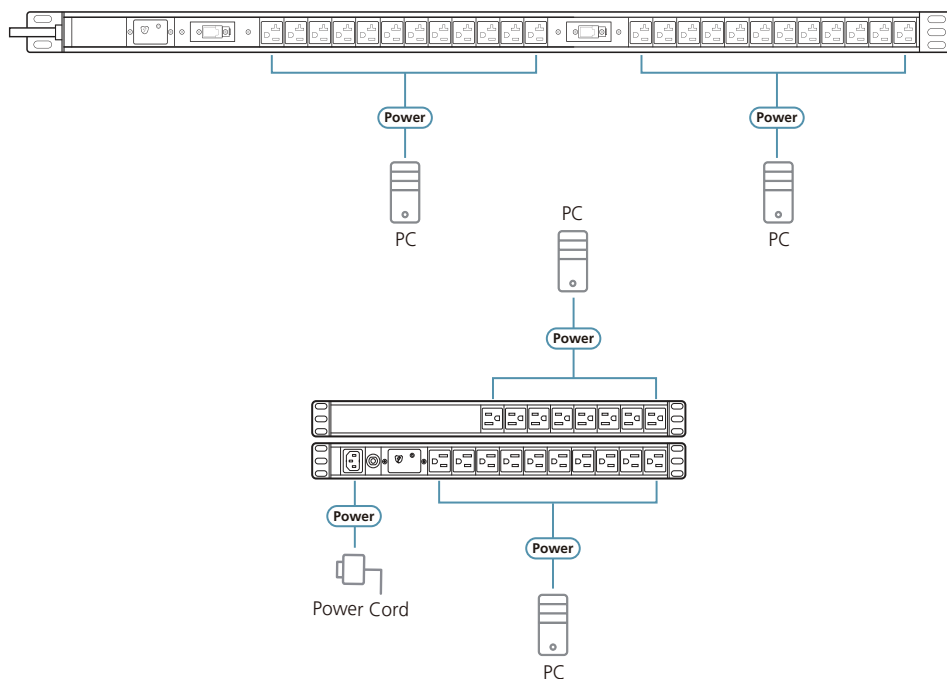


# Basic PDU

## PE0118S/PE0218S/PE0116S/PE0216S/PE0224S/PE0316S/PE0324S/ PE0316B/PE0324B Series

ATEN's Basic PDU family is extended with 0U/1U members containing 16/18/24 outlets and available in IEC or NEMA socket configurations. The compact aluminum housing gives a sleek, yet robust look while minimizing installation space for work space efficiency. Thanks to the built-in surge protection module (not for PE0316B/PE0324B), the IT devices connected to the PDU are well-protected from sudden surges in electricity. The Basic PDUs are tailored made for individuals who are in need of industrial-grade, easy-to-deploy power distribution unit in data centers, server rooms, and network wiring closets.



**Note:**

- (1) As there are many Basic PDUs, PE0324S (top) and PE0118S (bottom) are the respective 0U and 1U examples used here.
- (2) For safety reasons, the equipment should be installed near the wall socket outlet and the disconnected device (appliance coupler on detachable power supply cord or plug on nondetachable power supply cord) should be readily accessible.

## Features

### Basic PDU

- Space saving — 0U/1U rack mount design
- IEC or NEMA outlet models
- Surge protection (not for PE0316B/PE0324B)
- Aluminum material

### Typical Applications

- Servers
- Network devices
- Telecom equipment

## Specifications

	PE0118SA	PE0118SG
<b>Electrical</b>		
Nominal Input Voltage	100-120 VAC	100-240 VAC
Maximum Input Current	15A (Max);12A (UL de-rated); 10A (PSE)	10A (Max)
Input Frequency	50-60 Hz	50-60 Hz
Input Connection	NEMA 5-15P	IEC 60320 C14
Input Power	1800VA (Max); 1440VA (UL de-rated)	2400VA (Max)
Outlet Type	(18) NEMA 5-15R	(18) IEC 60320 C13
Maximum Output Current (Outlet)	15A (Max);12A (UL de-rated); 10A (PSE)	10A (Max)
Maximum Output Current (Bank)	15A (Max);12A (UL de-rated); 10A (PSE)	10A (Max)
Maximum Output Current (Total)	15A (Max);12A (UL de-rated); 10A (PSE)	10A (Max)
OPD(Overcurrent Protection Device)	Yes	Yes
<b>Environmental</b>		
Temperature (Operating / Storage)	0 – 40 °C / -20 – 60 °C	0 – 40° C / -20 – 60 °C
Elevation (Operating / Storage)	3000m	3000m
<b>Physical Properties</b>		
Dimensions (L x W x H)	48.20 x 4.44 x 8.85 cm	48.20 x 4.44 x 8.85 cm
Weight	1.22 kg	1.22 kg
Power Cord Length	10ft (14#)	10ft (3×1.0mm <sup>2</sup> )
<b>Compliance</b>		
EMC Verification	FCC Class A	CE Class A
Safety Verification	UL	CE, LVD, UL

PE0118SA Front View



PE0118SA Rear View



## Specifications

	PE0218SA	PE0218SB	PE0218SG
<b>Electrical</b>			
Nominal Input Voltage	100-120 VAC	100-240 VAC	100-240 VAC
Maximum Input Current (UL de-rated 16A Max)	20A (Max); 16A (UL de-rated)	20A (Max); 16A (UL de-rated)	16A (Max)
Input Frequency	50-60 Hz	50-60 Hz	50-60 Hz
Input Connection	For A Plug: NEMA L5-20P; For A2 Plug: NEMA 5-20P	NEMA L6-20P	IEC 60320 C20
Input Power	2400VA (Max); 1920VA (UL de-rated)	4800VA (Max); 3840VA (UL de-rated)	3840VA (Max)
Outlet Type	(18) NEMA 5-20R	(18) IEC 60320 C13	(17) IEC 60320 C13, (1) IEC 60320 C19
Maximum Output Current (Outlet)	20A (Max); 16A (UL de-rated)	15A (Max); 12A (UL de-rated)	C13: 10A (Max) C19: 16A (Max)
Maximum Output Current (Bank)	20A (Max); 16A (UL de-rated)	20A (Max); 16A (UL de-rated)	16A (Max)
Maximum Output Current (Total)	20A (Max); 16A (UL de-rated)	20A (Max); 16A (UL de-rated)	16A (Max)
OPD (Overcurrent Protection Device)	Yes	Yes	Yes
<b>Environmental</b>			
Temperature (Operating / Storage)	0 – 40 °C / -20 – 60 °C	0 – 40 °C / -20 – 60 °C	0 – 40 °C / -20 – 60 °C
Elevation (Operating / Storage)	3000m	3000m	3000m
<b>Physical Properties</b>			
Dimensions (L x W x H)	48.20 x 4.44 x 8.85 cm	48.20 x 4.44 x 8.85 cm	48.20 x 4.44 x 8.85 cm
Weight	1.26 kg	1.26 kg	1.26 kg
Power Cord Length	10ft (12#)	10ft (12#)	10ft (3x1.5mm <sup>2</sup> )
<b>Compliance</b>			
EMC Verification	FCC Class A	FCC Class A	CE Class A
Safety Verification	UL, Others by request	UL, Others by request	CE, LVD, UL

PE0218SA Front View



PE0218SA Rear View



## Specifications

	PE0116SA	PE0116SG
<b>Electrical</b>		
Nominal Input Voltage	100-120 VAC	100-240 VAC
Maximum Input Current	15A (Max);12A (UL de-rated); 10A (PSE)	10A (Max)
Input Frequency	50-60 Hz	50-60 Hz
Input Connection	NEMA 5-15P	IEC 60320 C14
Input Power	1800VA (Max); 1440VA (UL de-rated)	2400VA (Max)
Outlet Type	(16) NEMA 5-15R	(16) IEC 60320 C13
Maximum Output Current (Outlet)	15A (Max); 12A (UL de-rated); 10A (PSE)	10A (Max)
Maximum Output Current (Bank)	15A (Max);12A (UL de-rated); 10A (PSE)	10A (Max)
Maximum Output Current (Total)	15A (Max);12A (UL de-rated); 10A (PSE)	10A (Max)
OPD(Overcurrent Protection Device)	Yes	Yes
<b>Environmental</b>		
Temperature (Operating / Storage)	0 – 40 °C / -20 – 60 °C	0 – 40 °C / -20 – 60 °C
Elevation (Operating / Storage)	3000m	3000m
<b>Physical Properties</b>		
Dimensions (L x W x H)	71.56 x 4.44 x 6.00 cm	71.56 x 4.44 x 6.00 cm
Weight	1.10 kg	1.10 kg
Power Cord Length	10ft (14#)	10ft (3x1.0mm <sup>2</sup> )
<b>Compliance</b>		
EMC Verification	FCC Class A	CE Class A
Safety Verification	UL, Others by request	CE, LVD, UL

PE0116SA Front View



## Specifications

	PE0216SA	PE0216SB	PE0216SG
<b>Electrical</b>			
Nominal Input Voltage	100-120 VAC	100-240 VAC	100-240 VAC
Maximum Input Current	20A (Max); 16A (UL de-rated)	20A (Max); 16A (UL de-rated)	16A (Max)
Input Frequency	50-60 Hz	50-60 Hz	50-60 Hz
Input Connection	For A Plug: NEMA L5-20P For A2 Plug: NEMA 5-20P	NEMA L6-20P	IEC 60320 C20
Input Power	2400VA (Max); 1920VA (UL de-rated)	4800VA (Max); 3840VA (UL de-rated)	3840VA (Max)
Outlet Type	(16) NEMA 5-20R	(16) IEC 60320 C13	(16) IEC 60320 C13
Maximum Output Current (Outlet)	20A (Max); 16A (UL de-rated)	15A (Max); 12A (UL de-rated)	10A (Max)
Maximum Output Current (Bank)	20A (Max); 16A (UL de-rated)	20A (Max); 16A (UL de-rated)	16A (Max)
Maximum Output Current (Total)	20A (Max); 16A (UL de-rated)	20A (Max); 16A (UL de-rated)	16A (Max)
OPD (Overcurrent Protection Device)	Yes	Yes	Yes
<b>Environmental</b>			
Temperature (Operating / Storage)	0 – 40 °C / -20 – 60 °C	0 – 40 °C / -20 – 60 °C	0 – 40 °C / -20 – 60 °C
Elevation (Operating / Storage)	3000m	3000m	3000m
<b>Physical Properties</b>			
Dimensions (L x W x H)	71.56 x 4.44 x 6.00 cm	71.56 x 4.44 x 6.00 cm	71.56 x 4.44 x 6.00 cm
Weight	1.10 kg	1.10 kg	1.10 kg
Power Cord Length	10ft (12#)	10ft (12#)	10ft (3×1.5mm <sup>2</sup> )
<b>Compliance</b>			
EMC Verification	FCC Class A	FCC Class A	CE Class A
Safety Verification	UL, Others by request	UL, Others by request	CE, LVD, UL

PE0216SA Front View



## Specifications

	PE0224SA	PE0224SB	PE0224SG
<b>Electrical</b>			
Nominal Input Voltage	100-120 VAC	100-240 VAC	100-240 VAC
Maximum Input Current	20A (Max);16A (UL de-rated)	20A (Max);16A (UL de-rated)	16A (Max)
Input Frequency	50-60 Hz	50-60 Hz	50-60 Hz
Input Connection	For A plug: NEMA L5-20P; For A2 plug: NEMA 5-20P	NEMA L6-20P	IEC 60320 C20
Input Power	2400VA (Max); 1920VA (UL de-rated)	4800VA (Max); 3840VA (UL de-rated)	3840VA (Max)
Outlet Type	(24) NEMA 5-20R	(22) IEC 60320 C13, (2) IEC 60320 C19	(22) IEC 60320 C13, (2) IEC 60320 C19
Maximum Output Current (Outlet)	20A (Max); 16A (UL de-rated)	C13: 15A(Max); 12A(UL de-rated) C19: 20A(Max); 16A(UL de-rated)	C13: 10A (Max) C19: 16A (Max)
Maximum Output Current (Bank)	20A (Max); 16A (UL de-rated)	20A (Max); 16A (UL de-rated)	16A (Max)
Maximum Output Current (Total)	20A (Max); 16A (UL de-rated)	20A (Max); 16A (UL de-rated)	16A (Max)
OPD (Overcurrent Protection Device)	Yes	Yes	Yes
<b>Environmental</b>			
Temperature (Operating / Storage)	0 – 40 °C / -20 – 60 °C	0 – 40 °C / -20 – 60 °C	0 – 40 °C / -20 – 60 °C
Elevation (Operating / Storage)	3000m	3000m	3000m
<b>Physical Properties</b>			
Dimensions (L x W x H)	96.68 x 4.44 x 6.00 cm	96.68 x 4.44 x 6.00 cm	96.68 x 4.44 x 6.00 cm
Weight	1.40 kg	1.40 kg	1.40 kg
Power Cord Length	10ft (12#)	10ft (12#)	10ft (3x1.5mm <sup>2</sup> )
<b>Compliance</b>			
EMC Verification	FCC Class A	FCC Class A	CE Class A
Safety Verification	UL, Others by request	UL, Others by request	CE, LVD, UL

PE0224SA Front View



## Specifications

	PE0316SA	PE0316SG
<b>Electrical</b>		
Nominal Input Voltage	100-120 VAC	100-240 VAC
Maximum Input Current	30A (Max); 24A (UL de-rated)	32A (Max)
Input Frequency	50-60 Hz	50-60 Hz
Input Connection	NEMA L5-30P	IEC 60309 32A
Input Power	3600VA(Max); 2880VA(UL de-rated)	7680VA(Max)
Outlet Type	(16) NEMA 5-20R	(16) IEC 60320 C13
Maximum Output Current (Outlet)	20A (Max); 16A (UL de-rated)	10A (Max)
Maximum Output Current (Bank)	20A (Max); 16A (UL de-rated)	16A (Max)
Maximum Output Current (Total)	30A (Max); 24A (UL de-rated)	32A (Max)
OPD (Overcurrent Protection Device)	Yes	Yes
<b>Environmental</b>		
Temperature (Operating / Storage)	0 – 40 °C / -20 – 60 °C	0 – 40 °C / -20 – 60 °C
Elevation (Operating / Storage)	3000m	3000m
<b>Physical Properties</b>		
Dimensions (L x W x H)	96.68 x 4.44 x 6.00 cm	96.68 x 4.44 x 6.00 cm
Weight	2.10 kg	2.10 kg
Power Cord Length	10ft (10#)	10ft (3x4mm <sup>2</sup> )
<b>Compliance</b>		
EMC Verification	FCC Class A	CE Class A
Safety Verification	UL, Others by request	CE, LVD, UL

PE0316SA Front View



## Specifications

	PE0324SA	PE0324SG
<b>Electrical</b>		
Nominal Input Voltage	100-120 VAC	100-240 VAC
Maximum Input Current	30A(Max); 24A (UL de-rated)	32A Max
Input Frequency	50-60 Hz	50-60 Hz
Input Connection	NEMA L5-30P	IEC 60309 32A
Input Power	3600VA (Max); 2880VA (UL de-rated)	7680VA (Max)
Outlet Type	(24) NEMA 5-20R	(22) IEC 60320 C13, (2) IEC 60320 C19
Maximum Output Current (Outlet)	20A (Max); 16A (UL de-rated)	C13: 10A (Max) C19: 16A (Max)
Maximum Output Current (Bank)	20A (Max); 16A (UL de-rated)	16A (Max)
Maximum Output Current (Total)	30A (Max); 24A (UL de-rated)	32A (Max)
OPD (Overcurrent Protection Device)	Yes	Yes
<b>Environmental</b>		
Temperature (Operating / Storage)	0 – 40 °C / -20 – 60 °C	0 – 40 °C / -20 – 60 °C
Elevation (Operating / Storage)	3000m	3000m
<b>Physical Properties</b>		
Dimensions (L x W x H)	119.98 x 4.44 x 6.00 cm	119.98 x 4.44 x 6.00 cm
Weight	2.40 kg	2.40 kg
Power Cord Length	10ft (10#)	10ft (3x4mm <sup>2</sup> )
<b>Compliance</b>		
EMC Verification	FCC Class A	CE Class A
Safety Verification	UL, Others by request	CE, LVD, UL

PE0324SA Front View





## Specifications

PE0316B	
<b>Electrical</b>	
Nominal Input Voltage	100 – 240 VAC
Maximum Input Current	30A (Max); 24A (UL de-rated)
Input Frequency	50-60 Hz
Input Connection	NEMA L6-30P
Input Power	7200VA (Max); 5760VA (UL de-rated)
Outlet Type	(16) IEC 60320 C13
Maximum Output Current (Outlet)	15A (Max); 12A (UL de-rated)
Maximum Output Current (Bank)	20A (Max); 16A (UL de-rated)
Maximum Output Current (Total)	30A (Max); 24A (UL de-rated)
OPD (Overcurrent Protection Device)	Yes
<b>Environmental</b>	
Temperature (Operating / Storage)	0 – 40 °C / -20 – 60 °C
Elevation (Operating / Storage)	3000m
<b>Physical Properties</b>	
Dimensions (L x W x H)	96.71 x 4.44 x 9.28 cm
Weight	2.50 kg
Power Cord Length	10ft (10#)
<b>Compliance</b>	
EMC Verification	FCC Class A
Safety Verification	UL, Others by request

PE0316B Front View



## Specifications

PE0324B	
<b>Electrical</b>	
Nominal Input Voltage	100 – 240 VAC
Maximum Input Current	30A (Max); 24A (UL de-rated)
Input Frequency	50-60 Hz
Input Connection	NEMA L6-30P
Input Power	7200VA (Max); 5760VA (UL de-rated)
Outlet Type	(22) IEC 60320 C13, (2) IEC 60320 C19
Maximum Output Current (Outlet)	C13: 15A (Max); 12A (UL de-rated) C19: 20A (Max); 16A (UL de-rated)
Maximum Output Current (Bank)	20A (Max); 16A (UL de-rated)
Maximum Output Current (Total)	30A (Max); 24A (UL de-rated)
OPD (Overcurrent Protection Device)	Yes
<b>Environmental</b>	
Temperature (Operating / Storage)	0 – 40 °C / -20 – 60 °C
Elevation (Operating / Storage)	3000m
<b>Physical Properties</b>	
Dimensions (L x W x H)	120.71 x 4.44 x 9.28 cm
Weight	2.80 kg
Power Cord Length	10ft (10#)
<b>Compliance</b>	
EMC Verification	FCC Class A
Safety Verification	UL, Others by request

PE0324B Front View



### ATEN International Co., Ltd.

3F, No.125, Sec. 2, Datung Rd., Sijhih District., New Taipei City 221, Taiwan  
 Phone: 886-2-8692-6789 Fax: 886-2-8692-6767  
 www.aten.com E-mail: marketing@aten.com

Product information is subject to change without prior notice.

Released: 11/2023 V2.0

© Copyright 2023 ATEN® International Co. Ltd.  
 ATEN and the ATEN logo are registered trademarks of ATEN International Co., Ltd.  
 All rights reserved. All other trademarks are the property of their respective owners.

