

Ultra Short Depth Single Rail WideScreen LCD Console (USB, VGA)

CL3100

The CL3100 USB VGA LCD Console is a short depth single rail LCD KVM console featuring an 18.5" LED-backlit widescreen LCD monitor with an integrated keyboard and touchpad. The short-depth design fits all 19" equipment cabinets, and is especially suitable for shallow racks. The CL3100 provides an ideal space-saving solution for special environments such as outside broadcast vans (OB vans) and compact control rooms.

The CL3100 is a dedicated front end sliding console for compatible VGA KVM switches. For added convenience, users can choose to manage the computer from an external console. The CL3100 features a port for an external USB mouse on the unit's front panel, while ports for the second KVM console (USB keyboard/mouse and VGA monitor) are provided on the rear panel. The CL3100 also includes two mini stereo ports for connecting audio speakers.

With a rich feature set, the CL3100 is designed to exceed the requirements for space utility optimization, adaptive deployment, and operational versatility, and is ideal for applications such as mobile live streaming in the broadcasting sector or control rooms with limited space in any industry.

CL3100NX: 18.5" LCD screen with resolution of 1366 x 768

CL3100 Front view



CL3100 Rear view



Features

Space Utility Optimization

- Exclusive LED illumination light – designed by ATEN to illuminate the keyboard and touch-pad to allow visibility in lowlight conditions
- Integrated LCD KVM console with an 18.5" LED-backlit widescreen LCD monitor in a single rail housing with top and bottom clearance for smooth operation in a 1U high system rack
- Short-depth design allow users to work with your rack-mounting equipment in narrow spaces
- Console lock – enables the console drawer to remain securely locked away in position when not in use
- Optional 2-in-1U Mounting Kit (2K-0001 / 2K-0002 / 2K-0007) – fitting the CL3100 and a rack KVM switch/KVM over IP switch in 1U of space on a rack for space-saving, easy and flexible operation

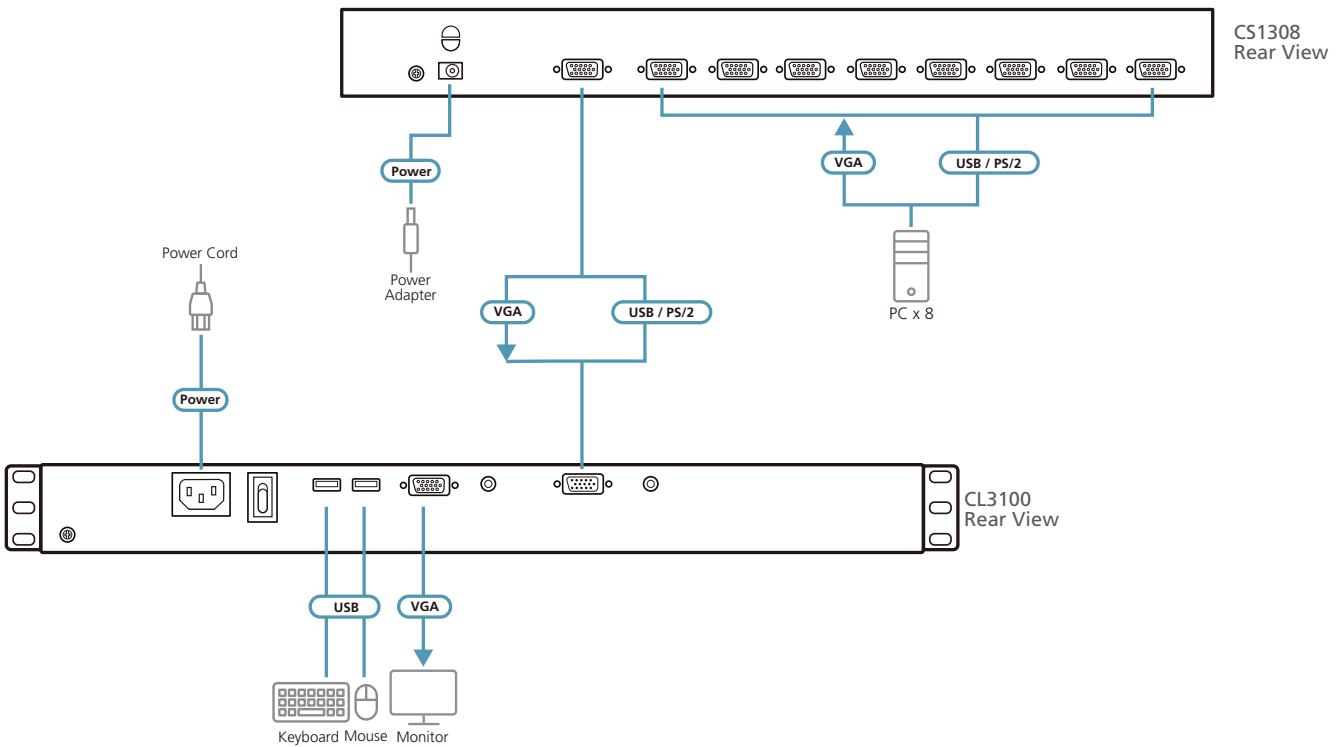
Reliability and Operational Versatility

- Supports VGA video input; supports an external console with USB / VGA connectors
- 18.5" LCD screen with resolution of 1366 x 768 @ 60 Hz
- External console supports input video resolutions up to 1920 x 1200 @ 60 Hz
- Audio support for connecting speakers
- Additional hot-pluggable USB mouse port on front panel (also functions as a USB peripheral port)
- Console selection via hotkey
- Standard 105-key keyboard

Installation Flexibility

- Standard rack mount kit included
- Optional rack mount kits available including easy installation options¹
- No software required
- Firmware up-gradable
- Supports hot-plugging

Note: Contact your ATEN dealer for product information



Optional

Single Person Easy Installation Kit

Slideaway™ LCD KVM switches / consoles allow users to choose from a host of optional rack mount kits to meet users' needs, including the Single Person Easy Installation Rack Mount Kit, which streamlines the rack mounting process.

Normal rack mounting procedures call for at least two people to rack mount a KVM switch/console. The Single Person Easy Installation Rack Mount Kit enables one person to rack mount a Slideaway™ LCD KVM switch / console. In just a matter of minutes, your new Slideaway™ LCD KVM switch / console can go from the box to the rack.

For convenience and flexibility, there is one standard, and two optional rack mounting kits available:

Standard Rack Mount Kit	Depth (cm)
Short (Standard)	42 – 72
2X-040G (Long / Optional)	70 – 100

Easy Installation Rack Mount Kit	Depth (cm)
2K-0003 (Short / Optional)	42.5 – 70
2K-0004 (Long / Optional)	68 – 105

Specifications

CL3100NX	
Computer Connections	
Direct	1
Console Selection	
	Hotkey
Connectors	
External Console Ports	1 x HDB-15 Female (Blue)
	2 x USB Type-A Female
	1 x 3.5mm Audio Jack Female (Green)
KVM Ports	1 x SPHD Female (Yellow)
	1 x 3.5mm Audio Jack Female (Green)
External Mouse / USB Port	1 x USB Type-A Female (Front)
Firmware Upgrade	1 x 3.5mm Audio Jack Female (Black)
Power	1 x IEC 60320 / C14
Switches	
Reset	1 x Semi-recessed Pushbutton
Firmware Upgrade	1 x Slide Switch
Power	1 x Rocker Switch
LCD Power	1 x LED Pushbutton
LCD Control	4 x Pushbutton
LEDs	
Power	1 x KVM Console (Dark Green)
	1 x LCD (Orange)
Lock	1 x Num Lock (Green)
	1 x Caps Lock (Green)
	1 x Scroll Lock (Green)
LED Illumination Light	1 x LED Illumination Light
Emulation	
Keyboard / Mouse	USB
Video	
Input Video Resolution	up to 1920 x 1200 @ 60 Hz; 1366 x 768 @ 60 Hz, DDC2B
Panel Spec	
LCD Module	18.5" TFT-LCD
Resolution	1366 x 768 @ 60 Hz
Pixel Pitch	0.3 mm x 0.3 mm
Response time	5 ms
Viewing Angle	170° (H), 160° (V)
Contrast Ratio	1000:1
Support Color	16.7M colors
Luminance	450 cd/m ²
Maximum Input Power Rating	100–240V AC, 50–60 Hz, 1 A
Power Consumption	AC110V: 13.8W / AC220V: 14.1W
Environmental	
Operating Temperature	0 – 40°C
Storage Temperature	-20 – 60°C
Humidity	0 – 80% RH, Non-condensing
Physical Properties	
Housing	Metal + Plastic
Rail Type	Single Rail
Weight	9.07 kg
Dimensions (L x W x H)	48.06 x 47.70 x 4.28 cm
Body Dimensions (L x W x H)	44.92 x 43.00 x 4.28 cm

Note:

1. For some rack mount products, please note that the standard physical dimensions of WxDxH are expressed using a LxWxH format.
2. Body Dimensions exclude I/O ports, handles, and mounting brackets.

ATEN International Co., Ltd.

3F., No.125, Sec. 2, Datung Rd., Sijhih District., New Taipei City 221, Taiwan
 Phone: 886-2-8692-6789 Fax: 886-2-8692-6767
 www.aten.com E-mail: marketing@aten.com

Product information is subject to change without prior notice.

Released: 12/2023 V4.0

© Copyright 2023 ATEN® International Co. Ltd.
 ATEN and the ATEN logo are registered trademarks of ATEN International Co., Ltd.
 All rights reserved. All other trademarks are the property of their respective owners.

