



3-Phase Intelligent PDU

PG95230 / PG95330 /
 PG96230 / PG96330 /
 PG98230 / PG98330 Series

ATEN PG 3-Phase Intelligent PDU lineup contains PG95 metered models, PG96 switched models, and PG98 outlet-metered-switched models. Each PG PDU comes with 6 x IEC 60320 C19 and 24 x IEC 60320 C13 outlets in a 0U rack enclosure. With an ARM Cortex-A8 processor, the PG series delivers flexible control methods through its LAN / COM / USB / environment sensor ports as well as powers up all connected equipment in less than 10 seconds once plugged in. For cost-saving and space-efficient setup purposes, the PG PDUs can be cascaded to connect up to 64 PDU units. As a result, these PDUs accommodate the increasing demand for power to high-density IT devices in server rooms and data centers.

In terms of hardware design, the PG96 and PG98 series PDUs have built-in energy-saving relays, a subtype of electromagnetic switch, to help operators control large amounts of current flow, which results in lower energy consumption compared to non-relay models incapable of energy saving.

Other highlights include the circuit breaker preinstalled onto the PG95330 / PG96330 / PG98330 models that support 30A / 32A current flow, which automatically switches off electricity supply to protect devices from overload or damage. With five colors (yellow, red, purple, blue, and green) of LCD console panel stickers available for users to choose from, differentiating between power feed settings and speeding up troubleshooting are made easier. Plus, the LCD console panel is hot-swappable and can be removed, replaced, or repaired without powering down a mission-critical connected load.

Ideal for enterprise servers, network closets, and data centers, the PG series is an intelligent power distribution and management solution that supports high-density IT applications while minimizing the overall cost.

Front View

PG95230G



PG95330G



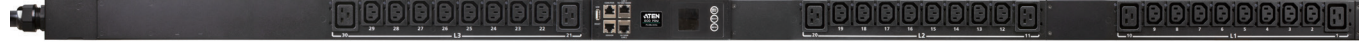
PG96230G



PG96330G



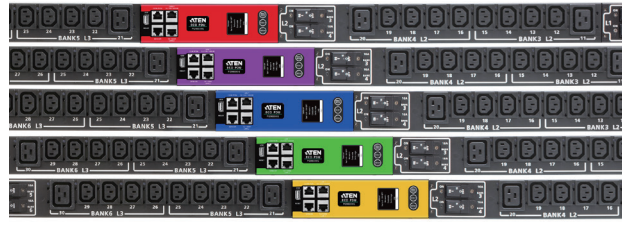
PG98230G

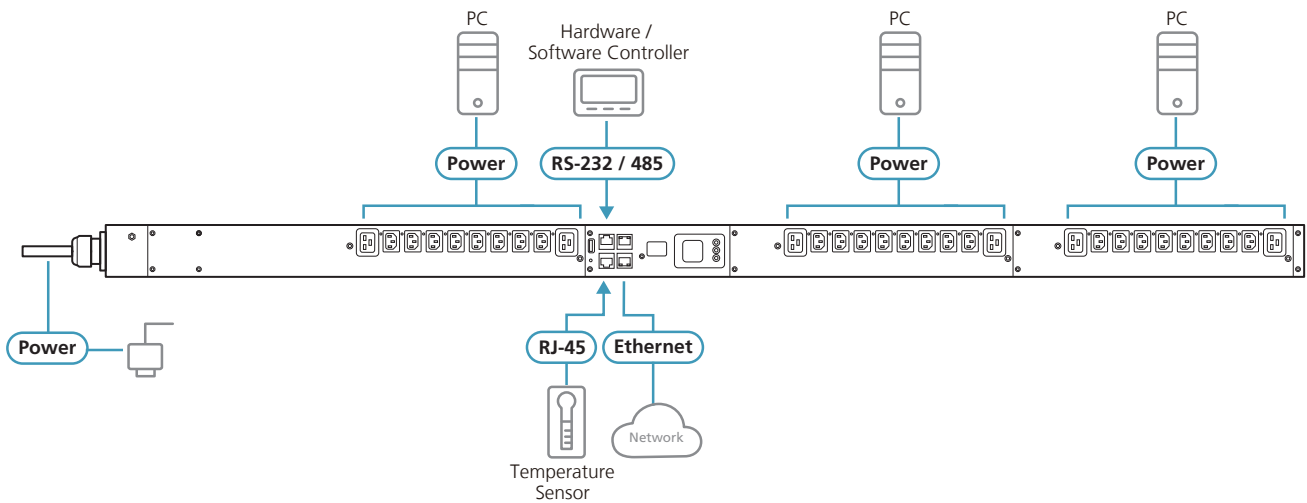


PG98330G



LCD console panel sticker available in 5 colors





Note: As there are many PG PDUs, PG98230G is the example used here.

Features

- The PG 3-Phase PDU series consists of PG95 metered models, PG96 switched models, and PG98 outlet-metered-switched models
- Each PG PDU comes with 6 x IEC 60320 C19 and 24 x IEC 60320 C13 outlets in a 0U rack enclosure
- ARM Cortex-A8 processor for flexible control methods via LAN / COM / USB / environment sensor ports and enhanced monitoring via LCD console
- **Advantageous hardware / network specifications**
 - 1 Gbps and 100 Mbps Ethernet ports
 - Auto Ping & Reboot (supported by PG96 / 98 series)
 - Remote Management Protocols: TCP/IP, UDP, HTTP, HTTPS, SSL, DHCP, SMTP, ARP, NTP, DNS, Auto Sense, Ping, SNMP V1&V2&V3, Telnet, Modbus (over TCP/IP), Wi-Fi, 802.11 a/b/g/n network protocols, IPv6, and SMS
 - Alerts / Alarms: receives alarms via SNMP, SMTP, SMS¹, and syslog
 - Scripting: JSON-RPC (Remote Procedure Call) protocol and Python scripting to control specified PDU unit (e.g. Switch On / Off)¹
 - Security: 2-level account / password login access, and IP / MAC filter, TLS 1.2, SMTP / SMTPS protocols
 - Authentication: LDAP, RADIUS, TACACS+
- **Expandable installation**
 - Allows for connecting up to 64 PDU units with cascading
 - Allows for PON port connection to an ATEN's KN series KVM over IP switch for centralized management of up to 16 cascaded PDUs²
- Energy-efficient relays allow operators to control large amounts of current flow for lower energy consumption (PG96 / 98 series only)
- Precise kWh metering (+/-1%) for better power consumption habits, baselines, and initiative tracking
- Environment sensor port enables RJ-45 connectivity to connect or daisy-chain up to 8 environment sensors such as ATEN EA1640 for monitoring and management of temperature, humidity, airflow, differential air pressure, and leaks
- Real-time LCD alert sends warnings to alert users of unusual power state
- An adjustable power cord is built in to the unit capable of 90-degree rotation to allow flexible in-rack installation, resulting in better cable organization
- Rotatable LCD Screen - capable of 180-degree rotation, delivering flexible in-rack installation
- Secure locking enhancement prevents power cords from becoming unplugged due to vibration or human error
- Supports ATEN's eco DC (Energy & DCIM Management Web GUI) for monitoring power distribution, energy, and environmental data from PDUs and connected devices

Note:

1. To be included in a future firmware release.
2. To be included in a future firmware release.

Specifications

	PG95230B	PG95230B2	PG95230G
Electrical			
Nominal Input Voltage	208V 3PH (Delta)	208V 3PH (Delta)	400/230V 3PH (Star)
Maximum Input Current	20A (Max) 16A (UL de-rated)	20A (Max) 16A (UL de-rated)	16A (Max)
Input Frequency	50 - 60 Hz		
Input Connection	NEMA L21-20P	NEMA L15-20P	G Plug: IEC 60309 16/20A Red 3P+N+PE U Plug: Clipsal 20A 56PA52-EO Angled Plug
Input Power	7205VA (Max), 5764VA (UL de-rated)	7205VA (Max), 5764VA (UL de-rated)	11084VA (Max)
Outlet Type	(6) IEC 60320 C19, (24) IEC 60320 C13	(6) IEC 60320 C19, (24) IEC 60320 C13	(6) IEC 60320 C19, (24) IEC 60320 C13
Nominal Output Voltage	208 Vac	208 Vac	230 Vac
Maximum Output Current (Outlet)	C13: 15A (Max), 12A (UL de-rated) C19: 20A (Max), 16A (UL de-rated)	C13: 15A (Max), 12A (UL de-rated) C19: 20A (Max), 16A (UL de-rated)	C13:10A (Max), C19:16A (Max)
Breakers	N/A		
Metering	Bank level Current, Voltage , PF and KWh Monitoring		
Outlet Switching	No		
Environment Sensor Ports	Yes		
Metering Accuracy	1%		
Physical Properties			
Dimensions (L x W x H)	179.00 x 5.60 x 6.80 cm		
Weight	7.34 kg		
Power Cord Length	3 m		
Environmental			
Temperature (Operating / Storage)	0 – 60 °C / -20 – 60 °C		
Humidity (Operating & Storage)	0 – 80 % RH, Non-Condensing		
Compliance			
EMC Verification	FCC	FCC	CE, EMC
Safety Verification	UL, PSE	UL, PSE	CE, UL, PSE
Warranty	3 Years		

Specifications

	PG95330B	PG95330B2	PG95330G
Electrical			
Nominal Input Voltage	208V 3PH (Delta)	208V 3PH (Delta)	400/230V 3PH (Star)
Maximum Input Current	30A (Max) 24A (UL de-rated)	30A (Max) 24A (UL de-rated)	32A (Max)
Input Frequency	50 - 60 Hz		
Input Connection	NEMA L21-30P	NEMA L15-30P	G Plug: IEC 60309 32A Red 3P+N+E U Plug: Clipsal 32A 56PA532-EO Angled Plug
Input Power	10808VA (Max), 8646VA (UL de-rated)	10808VA (Max), 8646VA (UL de-rated)	22170VA (Max)
Outlet Type	(6) IEC 60320 C19, (24) IEC 60320 C13	(6) IEC 60320 C19, (24) IEC 60320 C13	(6) IEC 60320 C19, (24) IEC 60320 C13
Nominal Output Voltage	208 Vac	208 Vac	230 Vac
Maximum Output Current (Outlet)	C13: 15A (Max), 12A (UL) C19: 20A (Max), 16A (UL)	C13: 15A (Max), 12A (UL) C19: 20A (Max), 16A (UL)	C13: 10A (Max), C19: 16A (Max)
Breakers	3xUL489(2P)-20A	3xUL489(2P)-20A	6xUL489(1P)-16A
Metering	Bank level Current, Voltage , PF and KWh Monitoring		
Outlet Switching	No		
Environment Sensor Ports	Yes		
Metering Accuracy	1%		
Physical Properties			
Dimensions (L x W x H)	179.00 x 5.60 x 6.80 cm		
Weight	8.41 kg		
Power Cord Length	3 m		
Environmental			
Temperature (Operating / Storage)	0 – 60 °C / -20 – 60 °C		
Humidity (Operating & Storage)	0 – 80 % RH, Non-Condensing		
Compliance			
EMC Verification	FCC	FCC	CE, EMC
Safety Verification	UL, PSE	UL, PSE	CE, UL, PSE
Warranty	3 Years		

Specifications

	PG96230B	PG96230B2	PG96230G
Electrical			
Nominal Input Voltage	208V 3PH (Delta)	208V 3PH (Delta)	400/230V 3PH (Star)
Maximum Input Current	20A (Max), 16A (UL de-rated)	20A (Max), 16A (UL de-rated)	16A (Max)
Input Frequency	50 - 60 Hz		
Input Connection	NEMA L21-20P	NEMA L15-20P	G Plug: IEC 60309 16/20A Red 3P+N+PE U Plug: Clipsal 20A 56PA52-EO Angled Plug
Input Power	7205VA (Max), 5764VA (UL de-rated)	7205VA (Max), 5764VA (UL de-rated)	11084VA (Max)
Outlet Type	(6) IEC 60320 C19, (24) IEC 60320 C13	(6) IEC 60320 C19, (24) IEC 60320 C13	(6) IEC 60320 C19, (24) IEC 60320 C13
Nominal Output Voltage	208 Vac	208 Vac	230 Vac
Maximum Output Current (Outlet)	C13: 15A (Max), 12A (UL de-rated) C19: 20A (Max), 16A (UL de-rated)	C13: 15A (Max), 12A (UL de-rated) C19: 20A (Max), 16A (UL de-rated)	C13:10A (Max), C19:16A (Max)
Breakers	N/A		
Metering	Bank level Current, Voltage , PF and KWh Monitoring		
Outlet Switching	Yes		
Environment Sensor Ports	Yes		
Metering Accuracy	1%		
Physical Properties			
Dimensions (L x W x H)	179.00 x 5.60 x 6.80 cm		
Weight	7.36 kg		
Power Cord Length	3 m		
Environmental			
Temperature (Operating / Storage)	0 – 60 °C / -20 – 60 °C		
Humidity (Operating & Storage)	0 – 80 % RH, Non-Condensing		
Compliance			
EMC Verification	FCC	FCC	CE, EMC
Safety Verification	UL, PSE	UL, PSE	CE, UL, PSE
Warranty	3 Years		

Specifications

	PG96330B	PG96330B2	PG96330G
Electrical			
Nominal Input Voltage	208V 3PH (Delta)	208V 3PH (Delta)	400/230V 3PH (Star)
Maximum Input Current	30A (Max) 24A (UL de-rated)	30A (Max) 24A (UL de-rated)	32A (Max)
Input Frequency	50 - 60 Hz		
Input Connection	NEMA L21-30P	NEMA L15-30P	G Plug: IEC 60309 32A Red 3P+N+E U Plug: Clipsal 32A 56PA532-EO Angled Plug
Input Power	10808VA (Max), 8646VA (UL de-rated)	10808VA (Max), 8646VA (UL de-rated)	22170VA (Max)
Outlet Type	(6) IEC 60320 C19, (24) IEC 60320 C13	(6) IEC 60320 C19, (24) IEC 60320 C13	(6) IEC 60320 C19, (24) IEC 60320 C13
Nominal Output Voltage	208 Vac	208 Vac	230 Vac
Maximum Output Current (Outlet)	C13: 15A (Max), 12A (UL) C19: 20A (Max), 16A (UL)	C13: 15A (Max), 12A (UL) C19: 20A (Max), 16A (UL)	C13: 10A (Max), C19: 16A (Max)
Breakers	3xUL489(2P)-20A	3xUL489(2P)-20A	6xUL489(1P)-16A
Metering	Bank level Current, Voltage , PF and KWh Monitoring		
Outlet Switching	Yes		
Environment Sensor Ports	Yes		
Metering Accuracy	1%		
Physical Properties			
Dimensions (L x W x H)	179.00 x 5.60 x 6.80 cm		
Weight	8.43 kg		
Power Cord Length	3 m		
Environmental			
Temperature (Operating / Storage)	0 – 60 °C / -20 – 60 °C		
Humidity (Operating & Storage)	0 – 80 % RH, Non-Condensing		
Compliance			
EMC Verification	FCC	FCC	CE, EMC
Safety Verification	UL, PSE	UL, PSE	CE, UL, PSE
Warranty	3 Years		

Specifications

	PG98230B	PG98230B2	PG98230G
Electrical			
Nominal Input Voltage	208V 3PH (Delta)	208V 3PH (Delta)	400/230V 3PH (Star)
Maximum Input Current	20A (Max) ; 16A (UL de-rated)	20A (Max) ; 16A (UL de-rated)	16A (Max)
Input Frequency	50 - 60 Hz		
Input Connection	NEMA L21-20P	NEMA L15-20P	G Plug: IEC 60309 16/20A Red 3P+N+PE U Plug: Clipsal 20A 56PA52-EO Angled Plug
Input Power	7205VA (Max), 5764VA (UL de-rated)	7205VA(Max), 5764VA (UL de-rated)	11084VA (Max)
Outlet Type	(6) IEC 60320 C19, (24) IEC 60320 C13	(6) IEC 60320 C19, (24) IEC 60320 C13	(6) IEC 60320 C19, (24) IEC 60320 C13
Nominal Output Voltage	208 Vac	208 Vac	230 Vac
Maximum Output Current (Outlet)	C13: 15A (Max), 12A (UL de-rated) C19: 20A (Max), 16A (UL de-rated)	C13: 15A (Max), 12A (UL de-rated) C19: 20A (Max), 16A (UL de-rated)	C13:10A (Max), C19:16A (Max)
Breakers	N/A		
Metering	Outlet level Current, Voltage, PF and kWh Monitoring		
Outlet Switching	Yes		
Environment Sensor Ports	Yes		
Metering Accuracy	1%		
Physical Properties			
Dimensions (L x W x H)	179.00 x 5.60 x 6.80 cm		
Weight	7.36 kg		
Power Cord Length	3 m		
Environmental			
Temperature (Operating / Storage)	0 – 60 °C / -20 – 60 °C		
Humidity (Operating & Storage)	0 – 80 % RH, Non-Condensing		
Compliance			
EMC Verification	FCC	FCC	CE, EMC
Safety Verification	UL, PSE	UL, PSE	CE, UL, PSE
Warranty	3 Years		

Specifications

	PG98330B	PG98330B2	PG98330G
Electrical			
Nominal Input Voltage	208V 3PH (Delta)	208V 3PH (Delta)	400/230V 3PH (Star)
Maximum Input Current	30A (Max) ; 24A (UL de-rated)	30A (Max) ; 24A (UL de-rated)	32A (Max)
Input Frequency	50 - 60 Hz		
Input Connection	NEMA L21-30P	NEMA L15-30P	G Plug: IEC 60309 32A Red 3P+N+E U Plug: Clipsal 32A 56PA532-EO Angled Plug
Input Power	10808VA (Max), 8646VA (UL de-rated)	10808VA (Max), 8646VA (UL de-rated)	22170VA (Max)
Outlet Type	(6) IEC 60320 C19, (24) IEC 60320C13	(6) IEC 60320 C19, (24) IEC 60320C13	(6) IEC 60320 C19, (24) IEC 60320C13
Nominal Output Voltage	208 Vac	208 Vac	230 Vac
Maximum Output Current (Outlet)	C13: 15A (Max), 12A (UL derated) C19: 20A (Max), 16A (UL de-rated)	C13: 15A (Max), 12A (UL derated) C19: 20A (Max), 16A (UL de-rated)	C13:10A (Max), C19:16A (Max)
Breakers	3 x UL489(2P)-20A	3 x UL489(2P)-20A	6 x UL489(1P)-16A
Metering	Outlet level Current, Voltage, PF and KWh Monitoring		
Outlet Switching	Yes		
Environment Sensor Ports	Yes		
Metering Accuracy	1%		
Physical Properties			
Dimensions (L x W x H)	179.00 x 5.60 x 6.80 cm		
Weight	8.43 kg		
Power Cord Length	3 m		
Environmental			
Temperature (Operating / Storage)	0 – 60 °C / -20 – 60 °C		
Humidity (Operating & Storage)	0 – 80 % RH, Non-Condensing		
Compliance			
EMC Verification	FCC	FCC	CE, EMC
Safety Verification	UL, PSE	UL, PSE	CE, UL, PSE
Warranty	3 Years		

