

HDMI HDBaseT-Lite Receiver with Scaler

VE805R

The VE805R HDMI HDBaseT-Lite Receiver with Scaler can be combined with ATEN HDMI HDBaseT products to extend a HDMI display up to 60 m from the HDMI source device using a single Cat 5e/6 cable or up to 70 m via a Cat 6a cable.

With a built-in scaler, the VE805R supports scaling the display of different video resolutions. When combined with the ATEN VM8514 HDBaseT Output Board, it supports video wall integration and Seamless Switch™ functions. In addition, the VE805R is equipped with RS-232 and IR signaling pass-through, which allows RS-232 and IR channels to be controlled either from the remote to local unit or from the local to remote unit, for bi-directional control of the source or display device.



Front View



Rear View

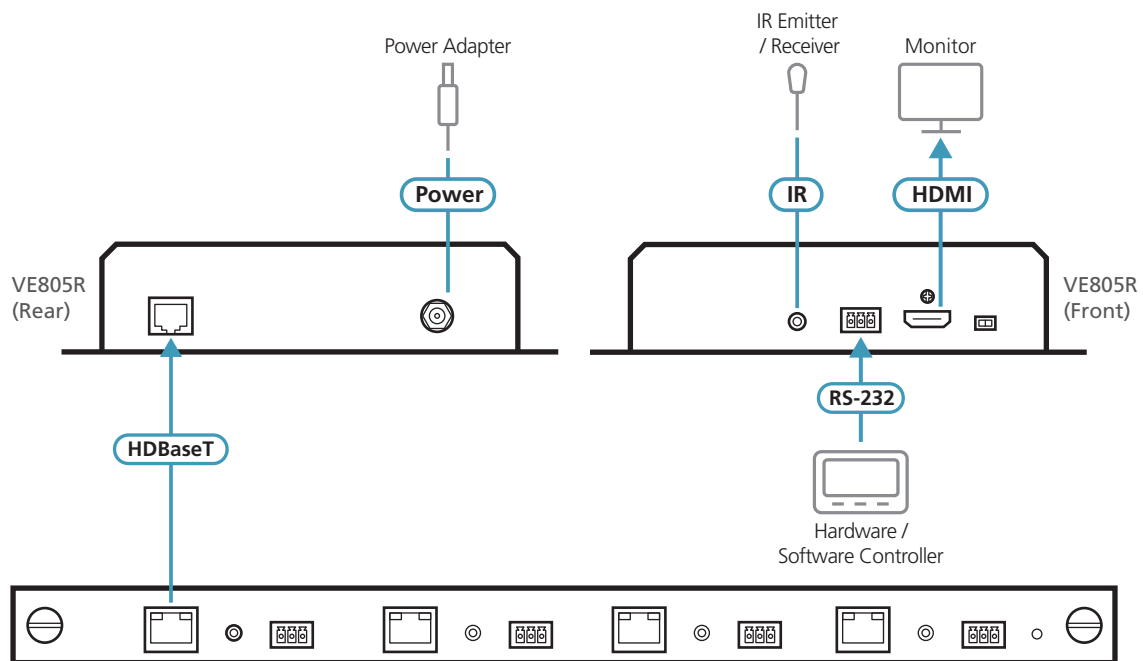


Features

- HDBaseT connectivity – extends the connection between the VM8514 HDBaseT outputs and an HDMI display over a long distance via single Cat 5e/6/6a cable
- HDBaseT Anti-jamming – resists signal interference during high quality video transmissions using HDBaseT technology
- Bi-directional RS-232 channel¹ – allows you to connect to serial terminals or serial devices, such as touch screens and barcode scanners
- Scaler – features a scaling function to integrate a video wall seamlessly with various output formats
- Seamless Switch™ – close-to-zero second switching that provides continuous video streams, real-time switching and stable signal transmissions²
- Video Wall – features configurable Video Wall profiles available for custom screen layouts via simple point-n-click web GUI²
- Bi-directional IR channel – IR transmission is processed one direction at a time³
- Rack-mountable

Note:

1. Bi-directional RS-232 channel only available when VE805R is used with the VM8514.
2. The Seamless Switch™ and Video Wall functions are available when the VE805R is used with the VM8514.
3. Supports full frequency IR signals from 30KHz to 60KHz; however the IR receiver cable included with the package only supports 30KHz to 56 KHz.



Output Board (e.g. VM8514) on Modular Matrix Switch (e.g. VM1600A)

Specifications

| | VE805R |
|-----------------------------|--|
| Video Input | |
| Interfaces | 1 x RJ-45 Female (Silver) |
| Impedance | 100 Ω |
| Video Output | |
| Interfaces | 1 x HDMI Type A Female (Black) |
| Impedance | 100 Ω |
| Max. Distance | 3 m |
| Video | |
| Max. Data Rate | 6.75 Gpbs (2.25 Gpbs per lane) |
| Max. Pixel Clock | 225 MHz |
| Compliance | HDMI (3D, Deep Color) HDCP 1.4 Compatible HDBaseT Compatible |
| Max. Resolutions / Distance | Up to 1080p @ 60 m (Cat 5e/6); 70 m (Cat 6a) |
| Control | |
| RS-232 | 1 x Captive Screw Connector, 3 Pole |
| IR | 1 x Mini Stereo Jack Female (Black) |
| Connectors | |
| Power | 1 x DC Jack (Sliver) |
| Switches | |
| Firmware Upgrade | 1 x Slide Switch |
| Power Consumption | |
| | DC5V: 8.36W |
| Environmental | |
| Operating Temperature | 0 – 50 °C |
| Storage Temperature | -20 – 60 °C |
| Humidity | 0 – 80% RH, Non-Condensing |
| Physical Properties | |
| Housing | Metal |
| Weight | 0.81 kg |
| Dimensions (L x W x H) | 17.74 x 16.92 x 4.20 cm |

ATEN International Co., Ltd.

3F., No.125, Sec. 2, Datung Rd., Sijhih District., New Taipei City 221, Taiwan
 Phone: 886-2-8692-6789 Fax: 886-2-8692-6767
 www.aten.com E-mail: marketing@aten.com

Product information is subject to change without prior notice.

Released: 06/2023 V4.0

© Copyright 2023 ATEN® International Co. Ltd.
 ATEN and the ATEN logo are registered trademarks of ATEN International Co., Ltd.
 All rights reserved. All other trademarks are the property of their respective owners.
 The terms HDMI, HDMI High-Definition Multimedia Interface, and the HDMI Logo are trademarks or registered trademarks of HDMI Licensing Administrator, Inc.

